

### 产品简述 (Product Profile)

用于平滑滤波，降低瞬变电压 $dv/dt$ ，延长电机寿命。可以降低电机噪音，减低涡流损耗。降低输出高次谐波造成的漏电流。保护变频器内部的功率开关器件。

Smoothing circuit, efficient from IGBT motor drives, so as to extending service life of electric motors. Reduce motor noise and eddy loss. Reduce the leakage current resulted from the output of high harmonic. Protect the electronic power switch within the inverters.



### 产品特点 (Product Features)

电抗器可以根据客户使用频率的高低合理选取磁性材料（硅钢片，铁氧体，非晶铁心，磁粉芯）；采用了高性能的箔式绕组结构，具有直流电阻小，抗电磁力能力强，短时间过载能力强；采用高性能的F级以上的复合绝缘材料，使产品在严酷的工作条件下依然可以保持可靠的性能；电抗器设计磁通密度低，线性度好，过载能力强，配合真空压力浸渍工艺电抗器噪音小。

Selection of silicon steel, ferrite magnetic material or amorphous core according to the frequency of application; Excellent property due to foil winding structure, small DC resistance, strong resistance to electromagnetic force, good overload ability in short time; F class insulation materials are used, which ensure products maintain reliable performance in harsh working conditions; Designed with low magnetic flux density, the reactor is of high linearity, powerful overload capacity. Moreover, combined with VPI process, the reactor noise is low.

### 产品参数 (Product Parameters)

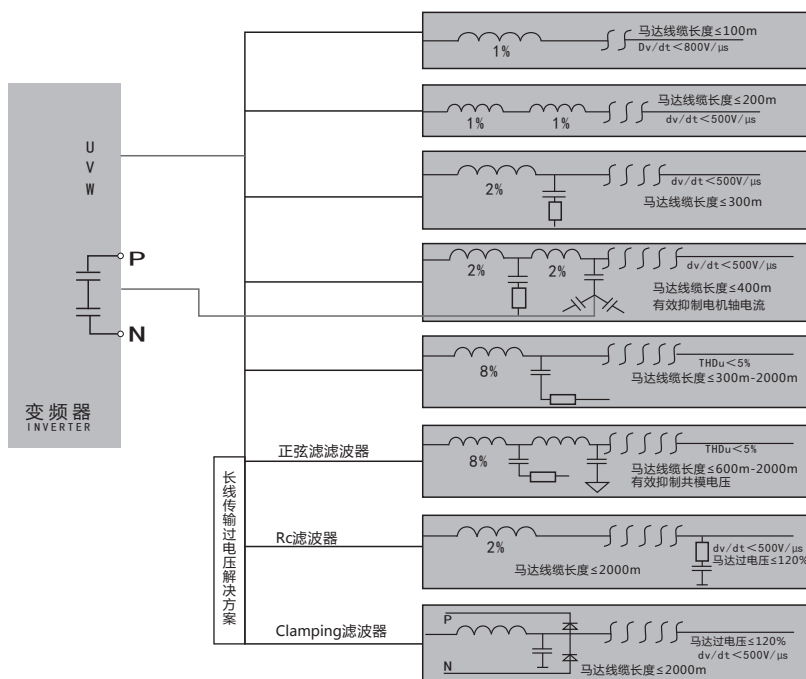
1. 额定工作电压：380V/690V/1140V 50Hz/60Hz
2. 额定工作电流：5A至1600A
3. 工作环境温度：-25°C~50°C
4. 抗电强度：铁芯-绕组 3000VAC/50Hz/5mA/10s无飞弧击穿(工厂测试)
5. 绝缘电阻：1000VDC绝缘阻值 $\geq 100M\Omega$
6. 电抗器噪音：小于80dB（与电抗器水平距离点1米测试）
7. 防护等级：IP00
8. 绝缘等级：F级以上
9. 产品执行标准：GB19212.1-2008  
GB19212.21-2007  
GB1094.6-2011

1. Voltage Range: AC 380V/690V/1140V, 50/60Hz
2. Current Range: 5A to 1600A
3. Operation Ambient Temperature: -25°C~50°C
4. Dielectric Strength: Core-Winding, AC 3000V/50Hz/5mA, in 10s, free of damage(test in factory)
5. Insulation Resistance: Core-Winding, DC 1000V, Resistance $>100M\Omega$
6. Reactor's noise is less than 80dB(to be measured at the point 1 meter away from the reactor horizontally)
7. Protection class: IP00
8. Insulation class: Above F
9. Standard: GB19212.1-2008  
GB19212.21-2007  
GB1094.6-2011

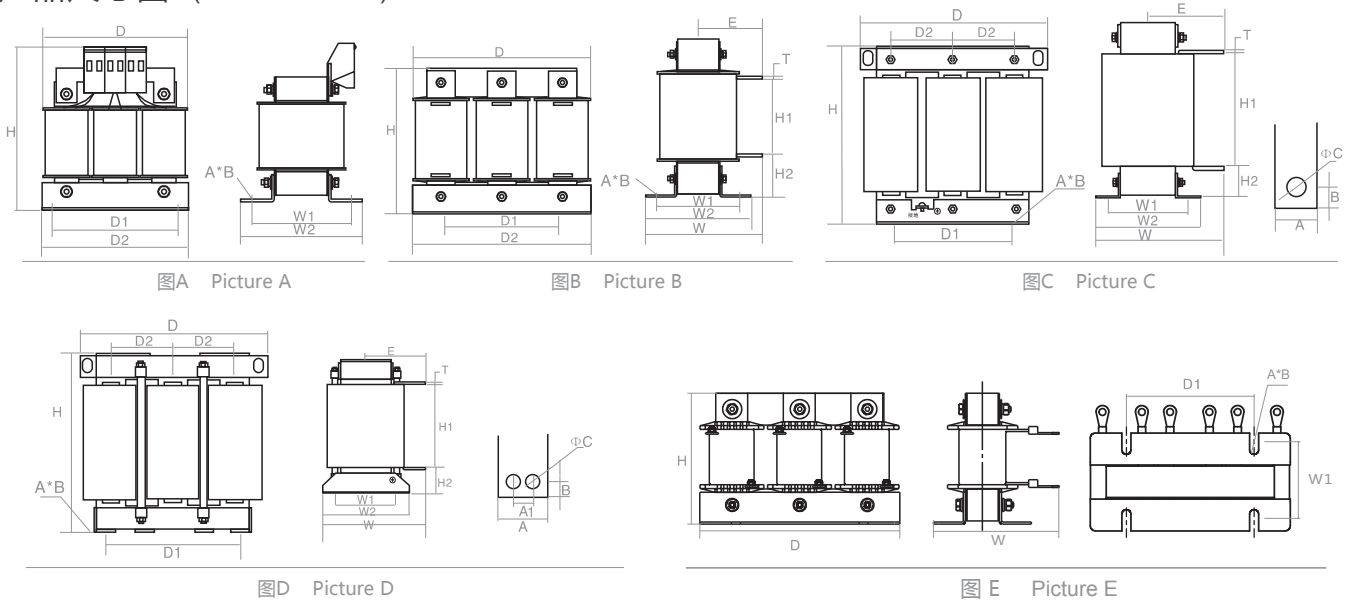
# 输出交流电抗器

## Output AC Reactor

### 变频输出端解决方案 ( Solution of Frequency Output )



## 产品尺寸图 (Product Size)



## 380V输出交流电抗器(1%压降)选型表 380V Output AC Reactor (1% drop) Selection Table

电抗器型号 Reactor Type	图号 Picture NO.	功率 Power (kW)	额定 电流 Rated Current (A)	电感量 (mH)	压降 Rated Current (A)	绝缘 等级 Insulation Class	重量 (kg)	尺寸 Dimension(±5mm)															
								D	D1	D2	W	W1	W2	H	H1	H2	E	A*B	A	A1	B	T	C
OCL-0005-EISC-E1M4	A	1.5	5	1.4	1%	F	2.48	110	91	105	/	65	84	130	/	/	/	6*11	/	/	/	/	/
OCL-0007-EISC-E1M0		2.2	7	1.0	1%	F	2.54	110	91	105	/	65	84	130	/	/	/	6*11	/	/	/	/	/
OCL-0010-EISC-EM70		3.7	10	0.7	1%	F	2.67	110	91	105	/	65	84	130	/	/	/	6*11	/	/	/	/	/
OCL-0015-EISC-EM47		5.5	15	0.47	1%	F	3.45	155	95	148	/	61	76	130	/	/	/	6*15	/	/	/	/	/
OCL-0020-EISC-EM35		7.5	20	0.35	1%	F	3.25	155	95	148	130	61	76	150	/	/	/	6*15	/	/	/	/	/
OCL-0030-EISCL-EM23	E	11	30	0.23	1%	F	5.56	200	120	/	116	72	/	130	/	/	/	8.5*20	/	/	/	/	/
OCL-0040-EISCL-EM18		15	40	0.18	1%	F	5.58	200	120	/	116	72	/	130	/	/	/	8.5*20	/	/	/	/	/
OCL-0050-EISCL-EM14		18.5	50	0.14	1%	F	5.62	200	120	/	131	72	/	130	/	/	/	8.5*20	/	/	/	/	/
OCL-0060-EISCL-EM12		22	60	0.12	1%	F	5.85	200	120	/	131	72	/	165	/	/	/	8.5*20	/	/	/	/	/
OCL-0080-EISC-E87U		B	30	80	0.087	1%	F	6.15	195	120	188	130	72	92	165	75	40	68	8.5*20	20	/	10	4
OCL-0090-EISC-E78U	37		90	0.78	1%	F	6.05	195	120	188	130	72	92	165	75	40	68	8.5*20	20	/	10	4	φ9
OCL-0120-EISC-E58U	45		120	0.58	1%	F	9.6	195	120	188	135	92	112	165	75	40	78	8.5*20	20	/	10	4	φ9
备注/Note: 公差(Tolerance) D:max D1:±1 D2:±1 W:max W1:±2 W2:±2 H:max H1:±5 H2:±5 E:±10,其余未注公差(others)±0.5mm.																							
OCL-0150-EISH-E47U	C	55	150	0.047	1%	F	15	250	182	81	170	87	113	230	140	42	97	11*18	25	/	13	5	φ11
OCL-0200-EISH-E35U		75	200	0.035	1%	F	17.3	250	182	81	175	97	123	230	140	42	102	11*18	25	/	13	5	φ11
OCL-0250-EISH-E28U		110	250	0.028	1%	F	17.8	250	182	81	175	97	123	230	140	42	102	11*18	25	/	13	5	φ11
OCL-0290-EISH-E24U		132	290	0.024	1%	F	24.7	290	214	95	190	101	127	250	150	45	107	11*18	30	/	15	5	φ12
OCL-0330-EISH-E21U		160	330	0.021	1%	F	26	290	214	95	190	106	132	250	155	45	110	11*18	30	/	15	5	φ12
OCL-0390-EISH-E18U		185	390	0.018	1%	F	26.5	290	214	95	190	106	132	250	155	45	110	11*18	30	/	15	5	φ12
OCL-0490-EISH-E14U		220	490	0.014	1%	F	36.6	320	243	106	220	113	143	320	190	52	132	12*20	50	22	23	8	2-φ12
OCL-0530-EISH-E13U		250	530	0.013	1%	F	36.6	320	243	106	220	113	143	320	190	52	132	12*20	50	22	23	8	2-φ12
OCL-0600-EISH-E12U		280	600	0.012	1%	F	43.5	320	243	106	240	128	158	320	195	50	140	12*20	50	22	23	8	2-φ12
OCL-0660-EISH-E11U		300	660	0.011	1%	F	44	320	243	106	240	128	158	320	195	50	140	12*20	50	22	23	8	2-φ12
OCL-0800-EISH-E8U7	D	380	800	0.0087	1%	F	60.8	385	260	123	250	175	198	395	230	70	137	12*20	50	22	23	8	2-φ12
OCL-1000-EISH-E7U0		450	1000	0.007	1%	F	61.5	385	260	123	250	175	198	395	230	70	137	12*20	50	22	23	8	2-φ12
OCL-1250-EISH-E5U8		550	1200	0.0058	1%	F	89	395	275	130	325	175	198	435	280	65	207	12*20	60	26	27	12	4-φ12
OCL-1600-EISH-E4U3		630	1600	0.0043	1%	F	92	395	275	130	325	175	198	435	280	65	207	12*20	60	26	27	12	4-φ12

备注/Note:(1) : Picture A、E、B、C公差(Tolerance) D:max D1:±1 D2:±5 W:max W1:±2 W2:±2 H:max H1:±5 H2:±5 E:±10,其余未注公差(others)±0.5mm.

Picture D公差(Tolerance) D:max D1:±2 D2:±5 W:max W1:±1 W2:±1 H:max H1:±5 H2:±5 E:±10,其余未注公差(others)±0.5mm.

(2) : 以上型号为我司标准品, 其它规格可以根据客户要求定制。Can be customized.

(3) : H级产品可以根据客户要求定制。Class H Can be customized.

# 输出交流电抗器

## Output AC Reactor

■ 380V输出交流电抗器(2%压降)选型表(请参考：690V输出交流电抗器(1%压降)选型表)  
 (380V Output AC Reactor (2% drop) Selection Table) (Reference: 690V Output AC Reactor (1% drop) Selection Table)

380V输出交流电抗器(3%压降)选型表(请参考：1140V输出交流电抗器(1%压降)选型表)  
 (380V Output AC Reactor (3% drop) Selection Table) (Reference: 1140V Output AC Reactor (1% drop) Selection Table)

380V输出交流电抗器(4%压降)选型表(请参考：690V输出交流电抗器(2%压降)选型表)  
 (380V Output AC Reactor (4% drop) Selection Table) (Reference: 690V Output AC Reactor (2% drop) Selection Table)

### 产品尺寸图 (Product Size)

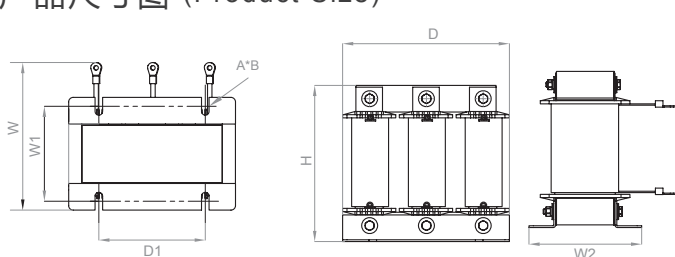


图 A Picture A

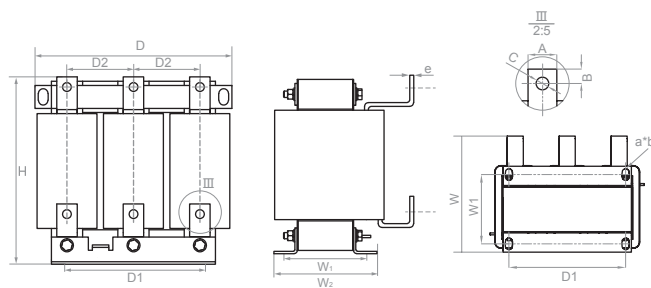


图 B Picture B

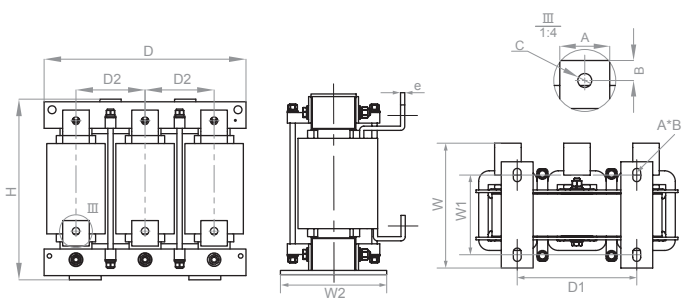


图 C Picture C

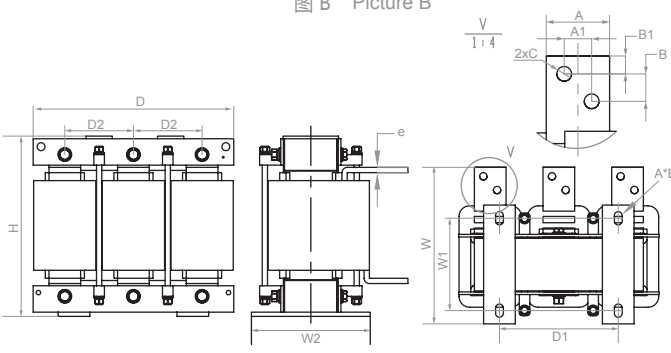


图 D Picture D

### 690V输出交流电抗器(1%压降)选型表 (690V Output AC Reactor (1% drop) Selection Table)

电抗器型号 Reactor Type	图号 Picture NO.	功率 Power (KW)	额定 电流量 Rated Current (A)	电感量 (mH)	压降 Rated Current (A)	绝缘 等级 Insulation Class	外形尺寸 Dimension(±5mm)													
							D	D1	D2	W	W1	W2	H	e	A*B	A	A1	B	B1	C
OCL-0015-EISA-EM85	A	15	15	0.85	1%	F	195	120	/	140	72	92	165	/	8.5*20	/	/	/	/	/
OCL-0025-EISA-EM51		22	25	0.51	1%	F	195	120	/	140	72	92	165	/	8.5*20	/	/	/	/	/
OCL-0035-EISA-EM36		37	35	0.36	1%	F	195	120	/	155	85	105	150	/	8.5*20	/	/	/	/	/
OCL-0055-EISA-EM23		45	55	0.23	1%	F	195	120	/	175	107	127	185	/	8.5*20	/	/	/	/	/
OCL-0070-EISA-EM18		55	70	0.182	1%	F	250	182	81	175	81	107	195	5	11*18	25	/	12.5	/	11
OCL-0090-EISA-EM14	B	75	90	0.142	1%	F	250	182	81	180	91	117	230	5	11*18	25	/	12.5	/	11
OCL-0125-EISA-EM10		90	125	0.1	1%	F	250	182	81	200	108	134	230	5	11*18	25	/	12.5	/	11
OCL-0160-EISA-E80U		110/132	160	0.08	1%	F	250	214	95	190	102	128	250	5	11*18	25	/	12.5	/	11
OCL-0200-EISA-E64U		160	200	0.064	1%	F	290	214	95	195	107	133	250	5	11*18	30	/	12.5	/	11
OCL-0250-EISA-E50U		220	250	0.05	1%	F	290	214	95	215	127	153	250	5	11*18	30	/	12.5	/	11
OCL-0300-EISA-E42U		250	300	0.042	1%	F	290	243	107	205	129	159	280	6	12*20	40	/	20	/	14
OCL-0400-EISA-E32U		315/355	400	0.032	1%	F	320	243	107	235	144	174	280	6	12*20	40	/	20	/	14
OCL-0500-EISA-E25U		450	500	0.025	1%	F	320	243	107	250	149	179	280	8	12*20	40	/	20	/	14
OCL-0650-EISA-E20U		500/560	650	0.02	1%	F	320	225	130	270	150	200	355	10	15*25	50	/	20	/	14
OCL-0800-EISA-E16U		630/750	800	0.016	1%	F	395	225	130	295	175	225	355	10	15*25	50	/	20	/	14
OCL-0950-EISA-E13U	D	800	950	0.013	1%	F	395	225	130	315	175	225	360	10	15*25	60	26	26	17	14
OCL-1200-EISA-E10U		900/1000	1200	0.01	1%	F	395	225	130	340	200	250	360	10	15*25	60	26	26	17	14

备注/Note: (1): Picture A、B公差(Tolerance) D:max D1:±1 D2:±5 W:max W1:±2 W2:±2 H:max, 其余未注公差(others)±0.5mm.  
 Picture C、D公差(Tolerance) D:max D1:±2 D2:±5 W:max W1:±1 W2:±1 H:max, 其余未注公差(others)±0.5mm.

(2): 以上型号为我司标准品, 其它规格可以根据客户要求定制。Can be customized.

(3): 此款产品引出排为铝排。The leading-out terminals of this product are Aluminum terminals.

## 690V输出交流电抗器(2%压降)选型表 (690V Output AC Reactor (2% drop) Selection Table)

电抗器型号 Reactor Type	图号 Picture NO.	功率 Power (KW)	额定 电流 Rated Current (A)	电感量 (mH)	压降 Rated Current (A)	绝缘 等级 Insulation Class	外形尺寸 Dimension(±5mm)													
							D	D1	D2	W	W1	W2	H	e	A*B	A	A1	B	B1	C
OCL-0015-EISA-E1M7	A	15	15	1.7	2%	F	195	120	/	140	72	92	165	/	8.5*20	/	/	/	/	/
OCL-0025-EISA-E1M0		22	25	1.05	2%	F	195	120	/	160	92	112	165	/	8.5*20	/	/	/	/	/
OCL-0035-EISA-EM73		37	35	0.73	2%	F	195	120	/	175	102	122	150	/	8.5*20	/	/	/	/	/
OCL-0055-EISA-EM46		45	55	0.465	2%	F	195	120	/	185	112	132	195	/	8.5*20	/	/	/	/	/
OCL-0070-EISA-EM36	B	55	70	0.365	2%	F	250	182	81	190	103	129	195	5	11*18	25	/	12.5	/	11
OCL-0090-EISA-EM28		75	90	0.285	2%	F	290	214	95	200	107	133	250	5	11*18	25	/	12.5	/	11
OCL-0125-EISA-EM20		90	125	0.2	2%	F	290	214	95	210	122	148	250	5	11*18	25	/	12.5	/	11
OCL-0160-EISA-EM16		110/132	160	0.16	2%	F	290	214	95	220	132	158	250	5	11*18	25	/	12.5	/	11
OCL-0200-EISA-EM12	C	160	200	0.125	2%	F	320	243	106.5	210	124	154	280	5	12*20	30	/	12.5	/	11
OCL-0250-EISA-EM10		220	250	0.105	2%	F	320	243	106.5	230	139	169	280	6	12*20	40	/	20	/	14
OCL-0300-EISA-E85U		250	300	0.085	2%	F	320	243	106.5	235	149	179	280	6	12*20	40	/	20	/	14
OCL-0400-EISA-E65U		315/355	400	0.065	2%	F	320	243	106.5	260	174	204	280	6	12*20	40	/	20	/	14
OCL-0500-EISA-E50U	D	450	500	0.06	2%	F	395	225	130	295	175	225	350	8	15*25	50	/	20	/	14
OCL-0650-EISA-E40U		500/560	650	0.04	2%	F	395	225	130	320	200	250	350	8	15*25	50	/	20	/	14
OCL-0800-EISA-E32U		630/750	800	0.032	2%	F	480	275	160	325	175	225	430	10	15*25	50	/	20	/	14
OCL-0950-EISA-E27U		800	950	0.027	2%	F	480	275	160	325	175	225	470	10	15*25	60	26	26	17	14
OCL-1200-EISA-E21U	900/1000	1200	0.021	2%	F	480	275	160	350	200	250	470	10	15*25	60	26	26	17	14	

备注/Note: (1): Picture A、B公差(Tolerance) D: max D1:±1 D2:±5 W: max W1:±2 W2:±2 H: max, 其余未注公差(others)±0.5mm.  
Picture C、D公差(Tolerance) D: max D1:±2 D2:±5 W: max W1:±1 W2:±1 H: max, 其余未注公差(others)±0.5mm.

- (2): 以上型号为我司标准品, 其它规格可以根据客户要求定制。Can be customized.
- (3): H级产品可以根据客户要求定制。Class H Can be customized.
- (4): 此款产品引出排为铝排。The leading-out terminals of this product are Aluminum terminals.

## 1140V输出交流电抗器(1%压降)选型表 (1140V Output AC Reactor (1% drop) Selection Table)

电抗器型号 Reactor Type	图号 Picture NO.	功率 Power (KW)	额定 电压 (V)	额定 电流 Rated Current (A)	电感量 (mH)	压降 Rated Current (A)	绝缘 等级 Insulation Class	外形尺寸 Dimension(±5mm)													
								D	D1	D2	W	W1	W2	H	e	A*B	A	A1	B	B1	C
OCL-0025-EISA-EM85	A	37	1140	25	0.85	1%	F	195	120	/	160	92	112	170	/	8.5*20	/	/	/	/	/
OCL-0030-EISA-EM70		45	1140	30	0.7	1%	F	195	120	/	165	92	112	170	/	8.5*20	/	/	/	/	/
OCL-0040-EISA-EM55		55	1140	40	0.55	1%	F	195	120	/	175	107	127	185	/	8.5*20	/	/	/	/	/
OCL-0055-EISA-EM38		75	1140	55	0.38	1%	F	195	120	/	175	107	127	185	/	8.5*20	/	/	/	/	/
OCL-0065-EISA-EM32	B	90	1140	65	0.32	1%	F	195	120	/	185	112	132	200	/	8.5*20	/	/	/	/	/
OCL-0080-EISA-EM26		110	1140	80	0.26	1%	F	250	182	81	195	108	134	230	5	11*18	25	/	12.5	/	11
OCL-0090-EISA-EM23		132	1140	90	0.23	1%	F	250	182	81	205	118	144	230	5	11*18	25	/	12.5	/	11
OCL-0120-EISA-EM18		160	1140	120	0.18	1%	F	250	182	81	220	133	159	230	5	11*18	25	/	12.5	/	11
OCL-0130-EISA-EM16	C	185	1140	130	0.16	1%	F	250	182	81	220	128	154	230	5	11*18	25	/	12.5	/	11
OCL-0150-EISA-EM14		200	1140	150	0.14	1%	F	290	214	95	215	122	148	250	5	11*18	25	/	12.5	/	11
OCL-0200-EISA-EM11		250	1140	200	0.11	1%	F	290	214	95	230	137	163	250	5	11*18	25	/	12.5	/	11
OCL-0230-EISA-E90U		315	1140	230	0.09	1%	F	320	243	106.5	220	129	159	280	5	12*20	30	/	12.5	/	11
OCL-0300-EISA-E70U	D	400	1140	300	0.07	1%	F	320	243	106.5	240	144	174	280	6	12*20	40	/	20	/	14
OCL-0350-EISA-E60U		500	1140	350	0.06	1%	F	320	243	106.5	250	154	184	280	6	12*20	40	/	20	/	14
OCL-0420-EISA-E50U		630	1140	420	0.05	1%	F	395	225	130	295	175	225	350	8	15*25	40	/	20	/	14
OCL-0500-EISA-E42U		710	1140	500	0.042	1%	F	395	225	130	295	175	225	350	8	15*25	40	/	20	/	14
OCL-0570-EISA-E36U	C	800	1140	570	0.036	1%	F	395	225	130	320	200	250	350	8	15*25	50	/	20	/	14
OCL-0660-EISA-E32U		1000	1140	60	0.032	1%	F	395	225	130	320	200	250	350	8	15*25	50	/	20	/	14
OCL-0800-EISA-E26U	D	1200	1140	800	0.026	1%	F	420	250	140	350	200	250	395	10	15*25	60	26	26	17	14

备注/Note: (1): Picture A、B公差(Tolerance) D: max D1:±1 D2:±5 W: max W1:±2 W2:±2 H: max, 其余未注公差(others)±0.5mm.  
Picture C、D公差(Tolerance) D: max D1:±2 D2:±5 W: max W1:±1 W2:±1 H: max, 其余未注公差(others)±0.5mm.

- (2): 以上型号为我司标准品, 其它规格可以根据客户要求定制。Can be customized.
- (3): H级产品可以根据客户要求定制。Class H Can be customized.
- (4): 此款产品引出排为铝排。The leading-out terminals of this product are Aluminum terminals.