

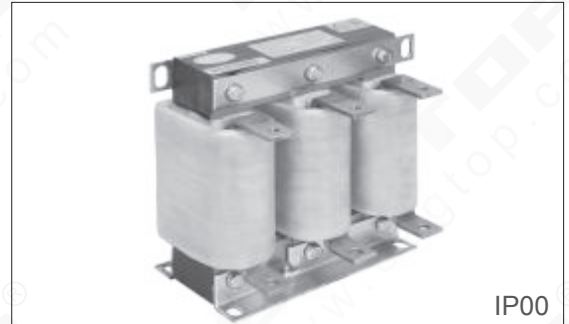
输入交流电抗器

Input AC Reactor

产品简述 (Product Profile)

输入电抗器是限流设备，用于驱动器的输入侧，保护交流驱动器不受瞬态超压的影响。有降低浪涌和峰值电流，提高真实功率因数，抑制电网谐波，改善输入电流波形的作用。

In application at AC drive input side to suppress inrush voltage. Reduce inrush & peak current; Improve the real power factor; Restrain the grid harmonics; Improve the input current waveform.



产品特点 (Product Features)

采用了高性能的箔式绕组结构，具有直流电阻小，抗短路能力强，短时间过载能力强；采用高性能的F级以上的复合绝缘材料，使产品在严酷的工作条件下依然可以保持可靠的性能；电抗器设计磁通密度低，线性度好，过载能力强，配合真空压力浸渍工艺电抗器噪音小；铁芯采用优质低损耗冷轧取向硅钢片，电抗器损耗小，效率高，温升低。

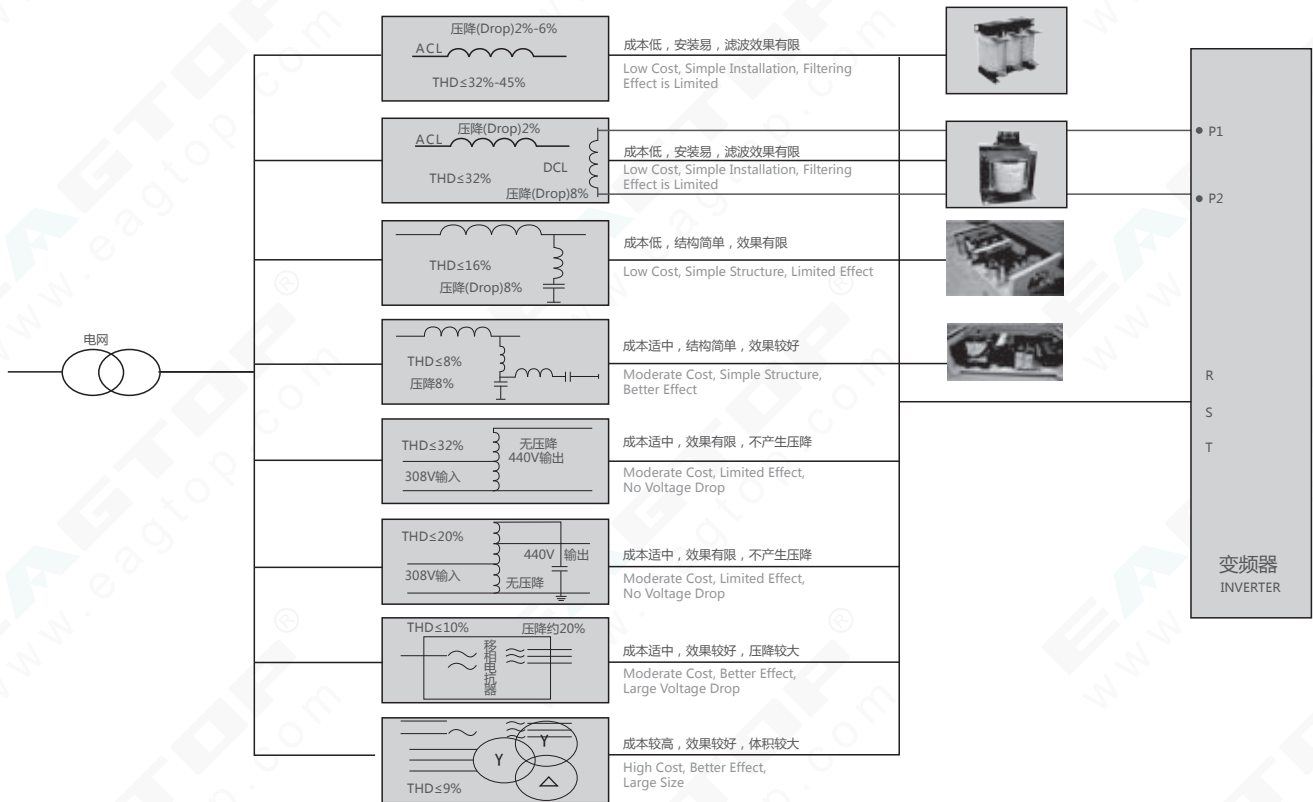
Excellent property due to foil winding structure, small DC resistance, the resistance to electromagnetic force ability is strong, good overload ability in short time; F class insulation materials are used, so that products can maintain reliable performance in harsh working conditions; Designed with low magnetic flux density, the reactor is of high linearit, powerful overload capacity. Moreover, combined with VPI process, the reactor noise is low; Core with grain-oriented cold-rolled silicon steel sheets, the reactor boasts high efficiency, low temperature rise and low loss.

产品参数 (Product Parameters)

1. 额定工作电压：380V/690V/1140V 50Hz/60Hz
2. 额定工作电流：5A至1600A
3. 工作环境温度：-25°C~50°C
4. 抗电强度：铁芯-绕组 3000VAC/50Hz/5mA/10s无飞弧击穿 (工厂测试)
5. 绝缘电阻：1000VDC绝缘阻值 \geq 100M Ω
6. 电抗器噪音：小于65dB (与电抗器水平距离点1米测试)
7. 防护等级：IP00
8. 绝缘等级：F级/H级
9. 产品执行标准：GB19212.1-2008，GB19212.21-2007，1094.6-2011

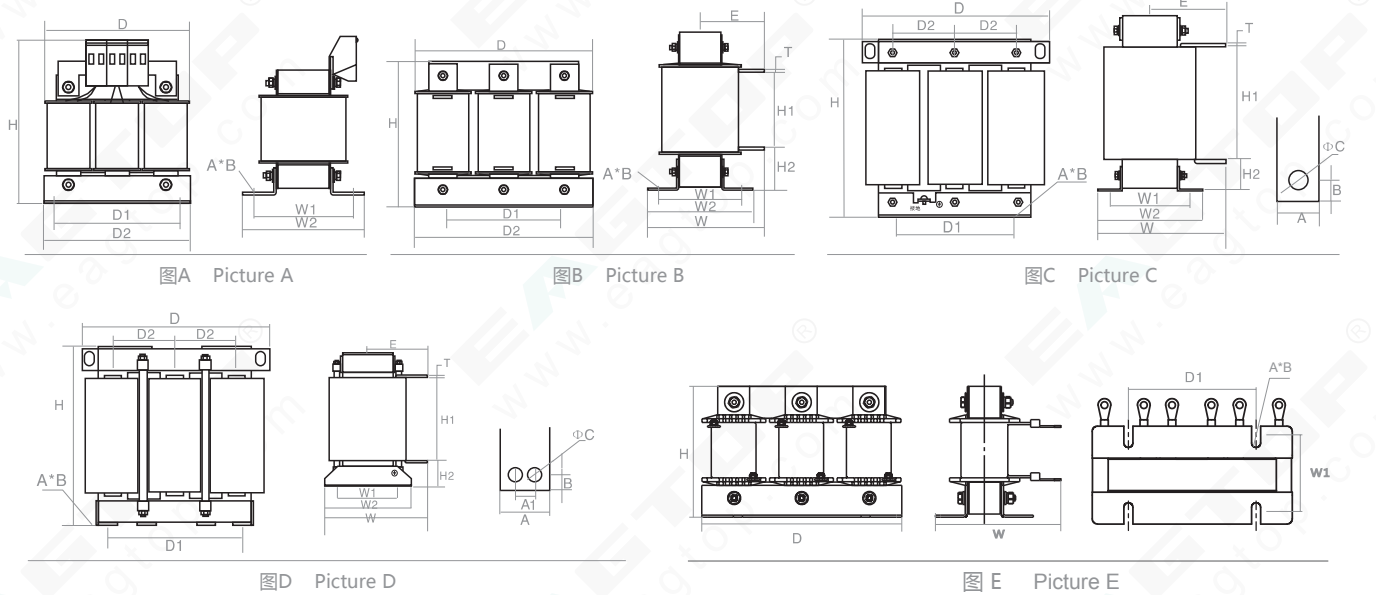
1. Rated Operating Power: 380V/690V/1140V 50Hz/60Hz
2. Current Range: 5A to 1600A
3. Operation Ambient Temperature: -25°C-50°C
4. Dielectric Strength: Core-Winding, AC 3000V/50Hz/5mA, in 10s, free of damage(test in factory)
5. Insulation Resistance: Core-Winding, DC 1000V, Resistance $>$ 100M ohm
6. Reactor's noise is less than 65dB(to be measured at the point 1 meter away from the reactor horizontally)
7. Protection class: IP00
8. Insulation class: F/H
9. Standard: GB19212.1-2008, GB19212.21-2007, 1094.6-2011

■ 变频输入端解决方案 (Solution of Frequency Input)



输入交流电抗器 Input AC Reactor

产品尺寸图 (Product Size)



380V输入交流电抗器(2%压降)选型表 (380V Input AC Reactor (2% drop) Selection Table)

| 电抗器型号 Reactor Type | 图号 Picture NO. | 功率 (KW) | 额定 电流 Rated Current (A) | 电感量 (mH) | 压降 Rated Current (A) | 绝缘 等级 Insulation Class | 重量 (kg) Weight (kg) | 外形尺寸 Dimension(±5mm) | | | | | | | | | | | | | | | | |
|-----------------------|-------------------|------------|-------------------------------------|-------------|-------------------------------|---------------------------------|------------------------------|-------------------------|-----|-----|-----|----|-----|-----|----|----|--------|--------|---|----|---|---|---|--|
| | | | | | | | | D | D1 | D2 | W | W1 | W2 | H | H1 | H2 | e | A*B | A | A1 | B | T | C | |
| ACL-0005-EISC-E3M8B | A | 1.5 | 5 | 2.8 | 2% | F | 2.48 | 110 | 91 | 105 | / | 65 | 84 | 130 | / | / | / | 6*11 | / | / | / | / | / | |
| ACL-0007-EISC-E2M5B | | 2.2 | 7 | 2.0 | 2% | F | 2.58 | 110 | 91 | 105 | / | 65 | 84 | 130 | / | / | / | 6*11 | / | / | / | / | / | |
| ACL-0010-EISC-E1M5B | | 3.7 | 10 | 1.4 | 2% | F | 2.67 | 110 | 91 | 105 | / | 65 | 84 | 130 | / | / | / | 6*11 | / | / | / | / | / | |
| ACL-0015-EISH-E1M0B | B | 5.5 | 15 | 0.93 | 2% | F | 3.45 | 155 | 95 | 148 | / | 61 | 76 | 150 | / | / | / | 6*15 | / | / | / | / | / | |
| ACL-0020-EISH-EM75B | | 7.5 | 20 | 0.7 | 2% | F | 3.25 | 155 | 95 | 148 | / | 61 | 76 | 150 | / | / | / | 6*15 | / | / | / | / | / | |
| ACL-0030-EISCL-EM47 | E | 11 | 30 | 0.47 | 2% | F | 5.13 | 200 | 120 | / | 116 | 72 | / | 130 | / | / | / | 8.5*20 | / | / | / | / | / | |
| ACL-0040-EISCL-EM35 | | 15 | 40 | 0.35 | 2% | F | 5.2 | 200 | 120 | / | 116 | 72 | / | 130 | / | / | / | 8.5*20 | / | / | / | / | / | |
| ACL-0050-EISCL-EM28 | | 18.5 | 50 | 0.28 | 2% | F | 6.91 | 200 | 120 | / | 131 | 72 | / | 160 | / | / | / | 8.5*20 | / | / | / | / | / | |
| ACL-0060-EISCL-EM24 | | 22 | 60 | 0.24 | 2% | F | 7.28 | 200 | 120 | / | 131 | 72 | / | 160 | / | / | / | 8.5*20 | / | / | / | / | / | |
| ACL-0090-EISCL-EM16 | | 37 | 90 | 0.16 | 2% | F | 7.55 | 200 | 120 | / | 136 | 72 | / | 160 | / | / | / | 8.5*20 | / | / | / | / | / | |
| ACL-0120-EISCL-EM12 | 45 | 120 | 0.12 | 2% | F | 10.44 | 200 | 120 | / | 171 | 92 | / | 165 | / | / | / | 8.5*20 | / | / | / | / | / | | |

备注:公差 D:max D1:±1 D2:±1 W:max W1:±2 W2:±2 H:max H1:±5 H2:±5 E:±10,其余未注公差±0.5mm.

| | | | | | | | | | | | | | | | | | | | | | | | |
|---------------------|-----|------|--------|-------|----|------|------|-----|-----|-----|-----|-----|-----|-----|-----|-----|-------|-------|----|----|----|-------|-----|
| ACL-0150-EISH-EM11B | C | 55 | 150 | 0.095 | 2% | F | 14.8 | 250 | 182 | 81 | 155 | 76 | 102 | 228 | 140 | 45 | 92 | 11*18 | 25 | / | 13 | 5 | φ11 |
| ACL-0200-EISH-E80UB | | 75 | 200 | 0.07 | 2% | F | 19.2 | 250 | 182 | 81 | 175 | 96 | 122 | 228 | 140 | 40 | 102 | 11*18 | 25 | / | 13 | 5 | φ11 |
| ACL-0250-EISH-E65UB | | 110 | 250 | 0.056 | 2% | F | 22.1 | 250 | 182 | 81 | 175 | 96 | 122 | 260 | 155 | 50 | 102 | 11*18 | 25 | / | 13 | 5 | φ11 |
| ACL-0290-EISH-E50UB | | 132 | 290 | 0.048 | 2% | F | 28.3 | 290 | 214 | 95 | 180 | 100 | 126 | 270 | 155 | 54 | 107 | 11*18 | 30 | / | 15 | 5 | φ12 |
| ACL-0330-EISH-E50UB | | 160 | 330 | 0.042 | 2% | F | 28.3 | 290 | 214 | 95 | 180 | 100 | 126 | 270 | 155 | 60 | 107 | 11*18 | 30 | / | 15 | 5 | φ12 |
| ACL-0390-EISH-E44UB | 185 | 390 | 0.036 | 2% | F | 31.8 | 320 | 243 | 106 | 190 | 112 | 142 | 270 | 155 | 52 | 107 | 12*20 | 30 | / | 15 | 5 | φ12 | |
| ACL-0490-EISH-E35UB | 220 | 490 | 0.028 | 2% | F | 43.6 | 320 | 243 | 106 | 220 | 122 | 152 | 305 | 190 | 60 | 137 | 12*20 | 50 | 22 | 23 | 8 | 2-φ12 | |
| ACL-0530-EISH-E35UB | 240 | 530 | 0.026 | 2% | F | 43.6 | 320 | 243 | 106 | 220 | 122 | 152 | 305 | 190 | 52 | 137 | 12*20 | 50 | 22 | 23 | 8 | 2-φ12 | |
| ACL-0600-EISH-E25UB | 280 | 600 | 0.023 | 2% | F | 52 | 320 | 243 | 106 | 240 | 137 | 167 | 305 | 195 | 50 | 145 | 12*20 | 50 | 22 | 23 | 8 | 2-φ12 | |
| ACL-0660-EISH-E25UB | 300 | 660 | 0.021 | 2% | F | 52 | 320 | 243 | 106 | 240 | 137 | 167 | 305 | 195 | 50 | 145 | 12*20 | 50 | 22 | 23 | 8 | 2-φ12 | |
| ACL-0800-EISH-E25UB | 380 | 800 | 0.017 | 2% | F | 68.5 | 385 | 260 | 123 | 250 | 175 | 198 | 390 | 230 | 70 | 142 | 12*20 | 50 | 22 | 23 | 8 | 2-φ12 | |
| ACL-1000-EISH-E14UB | 450 | 1000 | 0.014 | 2% | F | 68.5 | 385 | 260 | 123 | 250 | 175 | 198 | 390 | 230 | 70 | 142 | 12*20 | 50 | 22 | 23 | 8 | 2-φ12 | |
| ACL-1250-EISH-E11UB | 550 | 1250 | 0.011 | 2% | F | 106 | 395 | 275 | 130 | 325 | 175 | 198 | 430 | 280 | 65 | 215 | 12*20 | 60 | 26 | 27 | 12 | 4-φ12 | |
| ACL-1600-EISH-E12UB | 630 | 1600 | 0.0087 | 2% | F | 110 | 395 | 275 | 130 | 330 | 175 | 198 | 430 | 280 | 65 | 215 | 12*20 | 60 | 26 | 27 | 12 | 4-φ12 | |

备注:(1) : Picture C公差 D:max D1:±1 D2:±5 W:max W1:±2 W2:±2 H:max H1:±5 H2:±5 E:±10,其余未注公差±0.5mm.

Picture D公差 D:max D1:±2 D2:±5 W:max W1:±1 W2:±1 H:max H1:±5 H2:±5 E:±10,其余未注公差±0.5mm.

(2) : 以上型号为我司标准品, 其它规格可以根据客户要求定制.

(3) : F/H级产品可以根据客户要求定制.

(以上参数仅供参考, 选型时请咨询我司业务)

380V输入交流电抗器(4%压降)选型表 (请参考: 690V输入交流电抗器(2%压降)选型表) (380V Input AC Reactor (4% drop) Selection Table) (Reference: 690V Input AC Reactor (2% drop) Selection Table)

产品尺寸图 (Product Size)

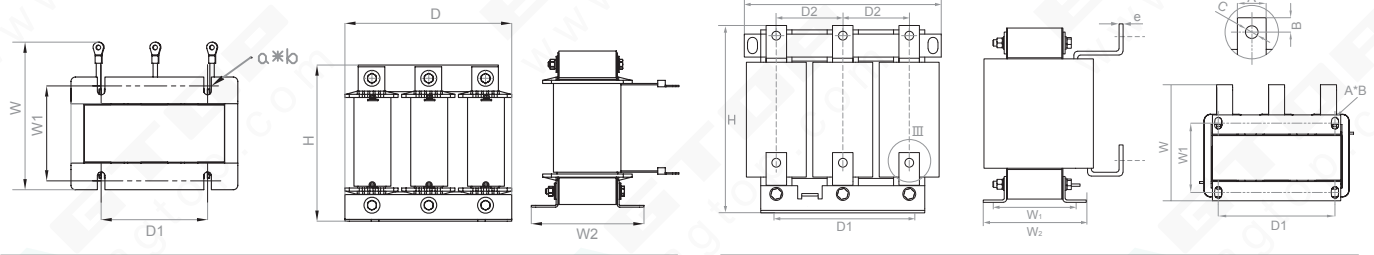


图 A Picture A

图 B Picture B

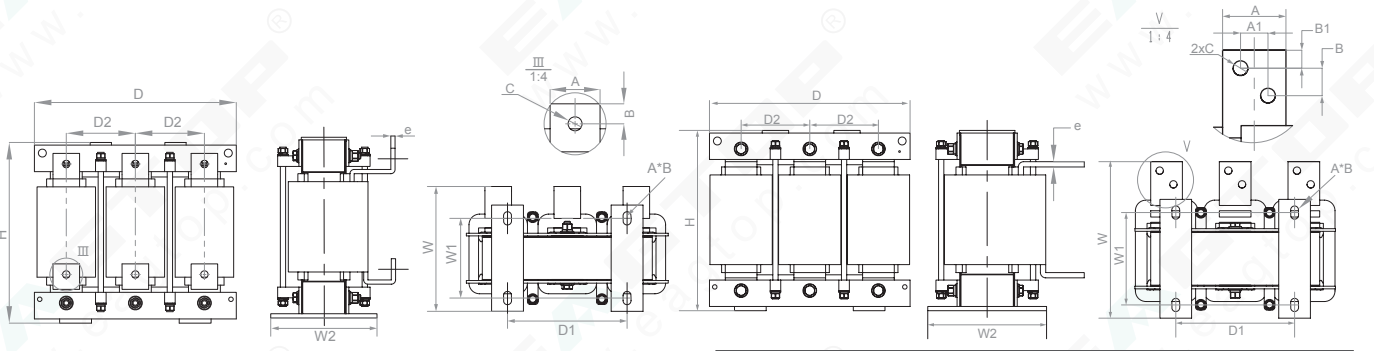


图 C Picture C

图 D Picture D

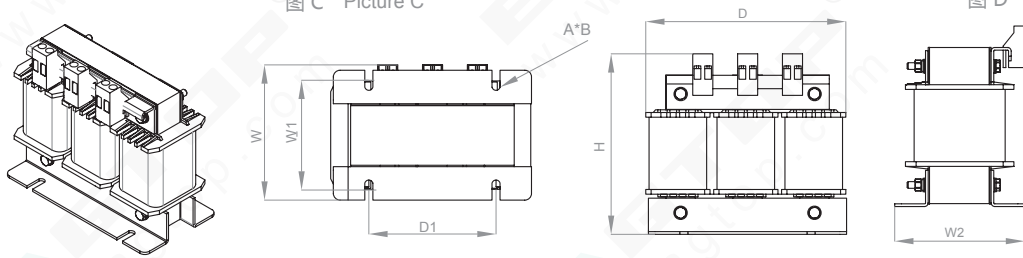


图 A1 Picture A1

690V输入交流电抗器(2%压降)选型表 (690V Input AC Reactor (2% drop) Selection Table)

| 电抗器型号 Reactor Type | 图号 Picture NO. | 功率 Power (KW) | 额定 电流 Rated Current (A) | 电感量 (mH) | 绝缘 等级 Insulation Class | 重量 Weight (Kg) | 外形尺寸 Dimension(±5mm) | | | | | | | | | | | | | |
|-----------------------|-------------------|------------------|-------------------------------|-------------|------------------------------|-------------------|-------------------------|-----|-----|-----|-----|-----|-----|----|--------|----|----|------|----|------|
| | | | | | | | D | D1 | D2 | W | W1 | W2 | H | e | A*B | A | A1 | B | B1 | C |
| ACL-0015-EISA-E1M7 | A1 | 15 | 15 | 1.7 | F | 5.5 | 155 | 95 | / | 120 | 82 | 97 | 150 | / | 6*15 | / | / | / | / | / |
| ACL-0025-EISA-E1M0 | A | 22 | 25 | 1.05 | F | 7 | 195 | 120 | / | 140 | 72 | 92 | 165 | / | 8.5*20 | / | / | / | / | / |
| ACL-0035-EISA-EM73 | | 37 | 35 | 0.73 | F | 9 | 195 | 120 | / | 160 | 92 | 112 | 165 | / | 8.5*20 | / | / | / | / | / |
| ACL-0055-EISA-EM46 | | 45 | 55 | 0.465 | F | 10.5 | 195 | 120 | / | 160 | 92 | 112 | 165 | / | 8.5*20 | / | / | / | / | / |
| ACL-0070-EISA-EM36 | | 55 | 70 | 0.365 | F | 16.5 | 195 | 120 | / | 195 | 127 | 147 | 185 | / | 8.5*20 | / | / | / | / | / |
| ACL-0090-EISA-EM28 | B | 75 | 90 | 0.285 | F | 21 | 250 | 182 | 81 | 185 | 88 | 114 | 230 | 5 | 11*18 | 25 | / | 12.5 | / | Φ 11 |
| ACL-0125-EISA-EM20 | | 90 | 125 | 0.2 | F | 23.5 | 250 | 182 | 81 | 200 | 103 | 129 | 230 | 5 | 11*18 | 25 | / | 12.5 | / | Φ 11 |
| ACL-0160-EISA-EM16 | | 110/132 | 160 | 0.16 | F | 27 | 250 | 182 | 81 | 210 | 113 | 139 | 230 | 5 | 11*18 | 25 | / | 12.5 | / | Φ 11 |
| ACL-0200-EISA-EM12 | | 160 | 200 | 0.125 | F | 30 | 290 | 214 | 95 | 205 | 102 | 128 | 250 | 5 | 11*18 | 30 | / | 12.5 | / | Φ 11 |
| ACL-0250-EISA-EM10 | | 220 | 250 | 0.105 | F | 35 | 290 | 214 | 95 | 220 | 127 | 153 | 250 | 5 | 11*18 | 40 | / | 12.5 | / | Φ 14 |
| ACL-0300-EISA-E85U | | 250 | 300 | 0.085 | F | 41 | 320 | 243 | 107 | 220 | 119 | 149 | 280 | 6 | 12*20 | 40 | / | 20 | / | Φ 14 |
| ACL-0400-EISA-E65U | C | 315/355 | 400 | 0.065 | F | 47 | 320 | 243 | 107 | 220 | 134 | 164 | 280 | 6 | 12*20 | 40 | / | 20 | / | Φ 14 |
| ACL-0500-EISA-E50U | | 450 | 500 | 0.05 | F | 53 | 320 | 243 | 107 | 245 | 144 | 174 | 280 | 8 | 12*20 | 40 | / | 20 | / | Φ 14 |
| ACL-0650-EISA-E40U | D | 500/560 | 650 | 0.04 | F | 60 | 395 | 225 | 130 | 295 | 175 | 225 | 310 | 8 | 15*25 | 50 | / | 20 | / | Φ 14 |
| ACL-0800-EISA-E32U | | 630/750 | 800 | 0.032 | F | 80 | 395 | 225 | 130 | 295 | 175 | 225 | 350 | 10 | 15*25 | 50 | / | 20 | / | Φ 14 |
| ACL-0950-EISA-E27U | D | 800 | 950 | 0.027 | F | 89 | 395 | 225 | 130 | 315 | 175 | 225 | 390 | 10 | 15*25 | 60 | 26 | 26 | 17 | Φ 14 |
| ACL-1200-EISA-E21U | | 900/1000 | 1200 | 0.021 | F | 100 | 395 | 225 | 130 | 340 | 200 | 250 | 390 | 10 | 15*25 | 60 | 26 | 26 | 17 | Φ 14 |

备注：(1)：以上尺寸均有公差,选型时请联系我司业务。(2)：此款产品引出排为铝排。
(3)：以上型号为我司标准品,其它规格可以根据客户需求定制。

(以上参数仅供参考,选型时请咨询我司业务)

输入交流电抗器 Input AC Reactor

690V输入交流电抗器(3%压降)选型表(请参考:1140V输入交流电抗器(2%压降)选型表) (690V Input AC Reactor (3% drop) Selection Table) (Reference: 1140V Input AC Reactor (2% drop) Selection Table)

产品尺寸图 (Product Size)

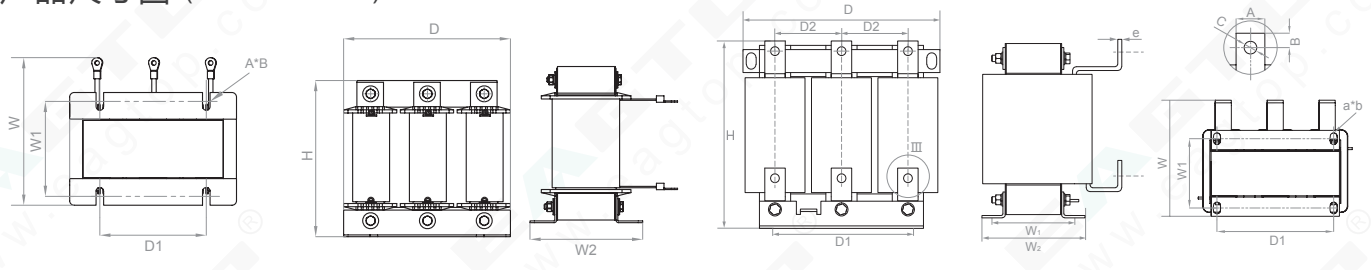


图 A Picture A

图 B Picture B

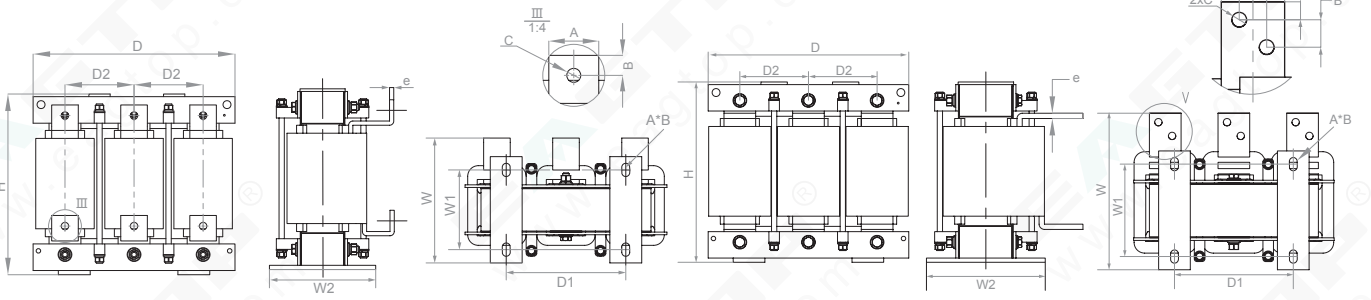


图 C Picture C

图 D Picture D

1140V输入交流电抗器 (2%压降) 选型表 (1140V Input AC Reactor(2% drop) Selection Table)

| 电抗器型号 Reactor Type | 图号 Picture NO. | 功率 Power (KW) | 额定 电流 Rated Current (A) | 电感量 (mH) | 压降 Rated Current (A) | 绝缘 等级 Insulation Class | 外形尺寸 Dimension(±5mm) | | | | | | | | | | | | | |
|-----------------------|-------------------|---------------------|-------------------------------------|-------------|-------------------------------|---------------------------------|-------------------------|-----|-------|-----|-----|-----|-----|-----|--------|-------|----|------|----|----|
| | | | | | | | D | D1 | D2 | W | W1 | W2 | H | e | A*B | A | A1 | B | T | C |
| ACL-0025-EISA-E1M7 | A | 37 | 25 | 1.70 | 2% | F | 195 | 120 | / | 160 | 92 | 112 | 165 | / | 8.5*20 | / | / | / | / | / |
| ACL-0035-EISA-E1M3 | | 55 | 35 | 1.25 | 2% | F | 195 | 120 | / | 175 | 107 | 127 | 185 | / | 8.5*20 | / | / | / | / | / |
| ACL-0055-EISA-EM78 | | 75 | 55 | 0.78 | 2% | F | 195 | 120 | / | 180 | 112 | 132 | 200 | / | 8.5*20 | / | / | / | / | / |
| ACL-0065-EISA-EM65 | B | 90 | 65 | 0.65 | 2% | F | 250 | 182 | 81 | 200 | 103 | 129 | 195 | 5 | 11*18 | 25 | / | 12.5 | / | 11 |
| ACL-0080-EISA-EM54 | | 110 | 80 | 0.54 | 2% | F | 250 | 182 | 81 | 195 | 98 | 124 | 230 | 5 | 11*18 | 25 | / | 12.5 | / | 11 |
| ACL-0090-EISA-EM48 | | 132 | 90 | 0.48 | 2% | F | 250 | 182 | 81 | 205 | 113 | 139 | 230 | 5 | 11*18 | 25 | / | 12.5 | / | 11 |
| ACL-0120-EISA-EM36 | | 160 | 120 | 0.36 | 2% | F | 250 | 182 | 81 | 215 | 123 | 149 | 230 | 5 | 11*18 | 25 | / | 12.5 | / | 11 |
| ACL-0150-EISA-EM29 | | 200 | 150 | 0.29 | 2% | F | 290 | 214 | 95 | 210 | 117 | 143 | 250 | 5 | 11*18 | 25 | / | 12.5 | / | 11 |
| ACL-0200-EISA-EM22 | | 250 | 200 | 0.22 | 2% | F | 320 | 243 | 106.5 | 230 | 134 | 164 | 280 | 5 | 12*20 | 30 | / | 12.5 | / | 11 |
| ACL-0230-EISA-EM19 | | 315 | 230 | 0.19 | 2% | F | 320 | 243 | 106.5 | 230 | 139 | 169 | 280 | 5 | 12*20 | 30 | / | 12.5 | / | 11 |
| ACL-0260-EISA-EM17 | | 400 | 260 | 0.17 | 2% | F | 320 | 243 | 106.5 | 245 | 149 | 179 | 280 | 6 | 12*20 | 40 | / | 12.5 | / | 11 |
| ACL-0300-EISA-EM14 | | 450 | 300 | 0.14 | 2% | F | 320 | 243 | 106.5 | 245 | 154 | 184 | 280 | 6 | 12*20 | 40 | / | 20 | / | 14 |
| ACL-0350-EISA-EM12 | | 500 | 350 | 0.12 | 2% | F | 380 | 225 | 122.5 | 270 | 150 | 200 | 330 | 6 | 12*20 | 40 | / | 20 | / | 14 |
| ACL-0420-EISA-EM10 | C | 630 | 420 | 0.10 | 2% | F | 380 | 225 | 122.5 | 295 | 175 | 225 | 330 | 6 | 12*20 | 40 | / | 20 | / | 14 |
| ACL-0500-EISA-E87U | | 710 | 500 | 0.087 | 2% | F | 380 | 225 | 122.5 | 295 | 175 | 225 | 350 | 8 | 12*20 | 40 | / | 20 | / | 14 |
| ACL-0570-EISA-E75U | | 800 | 570 | 0.075 | 2% | F | 395 | 225 | 130 | 320 | 200 | 250 | 330 | 8 | 15*25 | 50 | / | 20 | / | 14 |
| ACL-0660-EISA-E65U | | 1000 | 660 | 0.065 | 2% | F | 395 | 225 | 130 | 320 | 200 | 250 | 375 | 8 | 15*25 | 50 | / | 20 | / | 14 |
| ACL-0800-EISA-E54U | | D | 1200 | 800 | 0.054 | 2% | F | 420 | 250 | 140 | 350 | 200 | 250 | 410 | 10 | 15*25 | 60 | 26 | 26 | 17 |

备注/Note:(1) Picture C公差 (Tolerance) D:max D1:±1 D2:±5 W:max W1:±2 W2:±2 H:max, 其余未注公差(others)±0.5mm.

Picture D公差 (Tolerance) D:max D1:±2 D2:±5 W:max W1:±1 W2:±1 H:max, 其余未注公差(others)±0.5mm.

(2): 以上型号为可司标准品, 其它规格可以根据客户要求定制。 Can be customized.

(3): H级产品可以根据客户要求定制。 Class H Can be customized.

(4): 此款产品引出排为铝排。 The leading-out terminals of this product are Aluminum terminals.