

### 产品简述 (Product Profile)

RXLG系列电阻器其耐候性，耐振动，安全性，优于传统瓷骨架电阻器。广泛应用于电源，变频器，伺服系统等高要求的电气回路中，并能够用于恶劣的工控环境。易紧密安装，易附加散热器。外型美观，是电力电子理想的配套产品。

RXLG series resistor is superior to conventional ceramic-skeleton resistor in terms of weatherproof, oscillation-resistant and safety, and is widely applied to electrical circuits that has high adaptability to bad ambient, such as power supply, inverter and servo system, and has high adaptability to bad ambient operating conditions. It can be easily fitted in an airtight manner and additional heat radiator can be fixed to it in an easy way. With elegant appearance, it is an ideal component that is perfectly compatible with power and electronic.

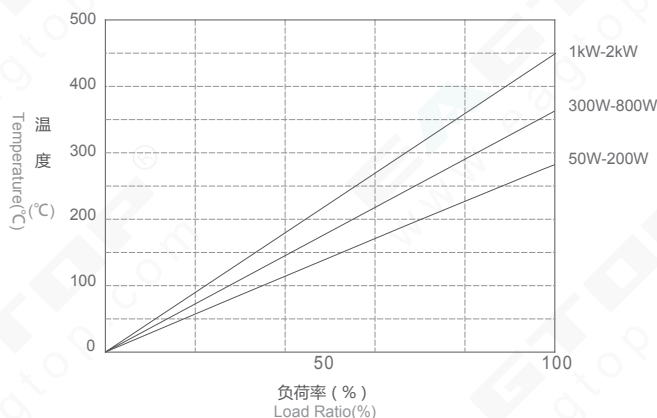


### 产品特点 (Product Features)

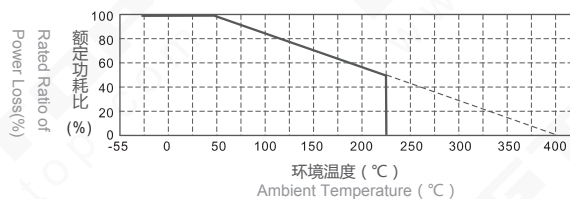
1. 额定功率范围：60W~2000W
2. 工作电压范围：<1.2kV
3. 额定阻值范围：1R~10kR
4. 耐压范围：AC3KV 50Hz/5s
5. IP等级：IP00/IP33
6. 振动：1.5g
7. 温漂范围：≤400ppm/°C
8. 载流体材料：0Cr25AL5
9. 优势：较恶劣工作环境
10. 劣势：工作电压不是很高

1. Power Range: 60W~2000W
2. Voltage Range: <1.2kV
3. Resistance Range: 1R~10kR
4. Dielectric Strength: AC3KV 50Hz/5s
5. IP Protection: IP00/IP33
6. Vibration: 1.5g
7. Temperature Coefficient: ≤400ppm/°C
8. Element Material: 0Cr25AL5
9. Advantage: for Cruel environment
10. Disadvantage: low operating voltage

### 表面温升 (Surface Temperature Rise)



### 降额曲线 (Derating Curve)



### 产品尺寸图 (Product Size)

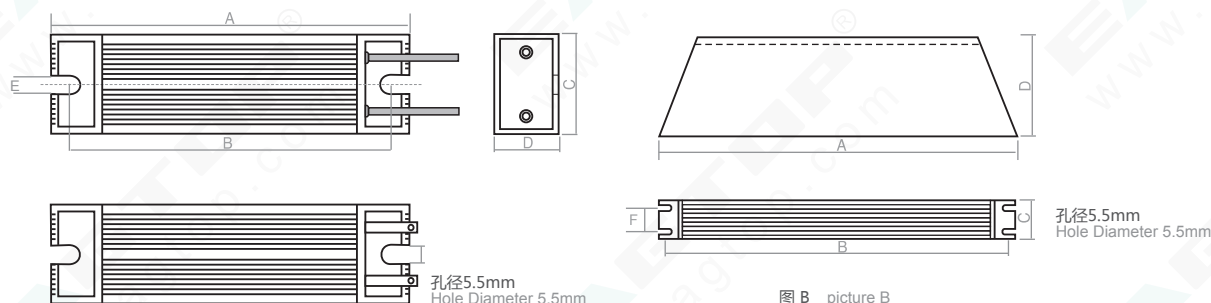


图 A picture A

图 B picture B

# 铝壳电阻器

## Aluminum Enclosure Resistor

### 产品尺寸表 (Product Size)

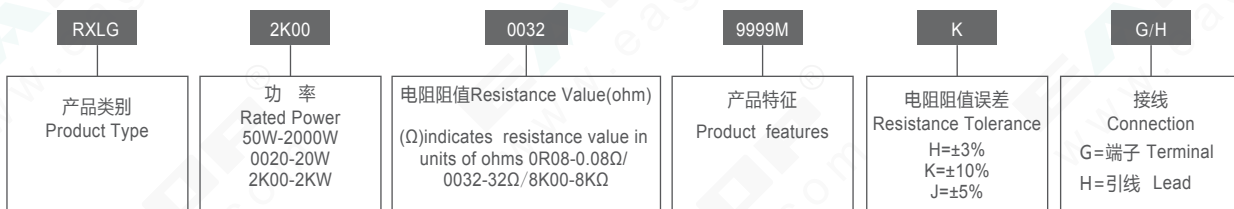
规格 Type	功率 Rated Power(W)	外型图 Product Picture	尺寸 Dimension(mm)							配线 Connecting Wire(mm)	引线长度 Lead length (mm)	接线端子 Terminal	重量 Weight(Kg)	阻值范围 Resistance Range( $\Omega$ )	出线方式 Connection
			A	B	C	D	E	F	G						
RXLG	60	图 A Picture A	115	98	40	20	5.5			1.5	500	2-5S	0.165	1 $\Omega$ -10K $\Omega$	引线 Cable
RXLG	80		140	123	40	20	5.5			1.5	500	2-5S	0.2	1 $\Omega$ -10K $\Omega$	
RXLG	100		165	148	40	20	5.5			1.5	500	2-5S	0.24	1 $\Omega$ -10K $\Omega$	
RXLG	120		190	173	40	20	5.5			1.5	500	2-5S	0.28	1 $\Omega$ -10K $\Omega$	
RXLG	150		215	198	40	20	5.5			1.5	500	2-5S	0.32	1 $\Omega$ -10K $\Omega$	
RXLG	200		165	147	60	30	5.5			1.5	500	2-5S	0.464	1 $\Omega$ -10K $\Omega$	
RXLG	300		215	198	60	30	5.5			1.5	500	2-5S	0.62	1 $\Omega$ -10K $\Omega$	
RXLG	400		265	247	60	30	5.9			1.5	500	2-5S	0.8	1 $\Omega$ -10K $\Omega$	
RXLG	500		335	317	60	30	5.9			1.5	500	2-5S	1.03	1 $\Omega$ -10K $\Omega$	
RXLG	800		400	382	61	59		40.5	5.5			M6	2.2	1 $\Omega$ -10K $\Omega$	
RXLG	1000	400	384	50	107		30	5.5			M6	3.6	5 $\Omega$ -10K $\Omega$		
RXLG	1200	450	434	50	107		30	5.5			M6	4	5 $\Omega$ -10K $\Omega$		
RXLG	1500	485	469	50	107		30	5.5			M6	4.35	5 $\Omega$ -10K $\Omega$		
RXLG	2000	550	534	50	107		30	5.5			M6	4.9	5 $\Omega$ -10K $\Omega$		

ROHS规格品需在定单中描述 (其他技术参数要求, 请垂询我司业务)

### 电气、机械特性 (Mechanical And Electrical Properties)

特性 Property	检查方法 Inspection method	性能要求 Requirement	试验标准 Test method
稳态湿热 Constant Damp-heat	40°C 相对湿度(90-95)% 96h Temperature 40°C, RH(90-95)% 96h	$R \leq \pm(5\% \pm 0.05\Omega)$	GB5729.2.24
温度快速变化 Temperature change	-55°C +55°C 3次循环 -55°C to +55°C, 3 Circles	$R \leq \pm(2\% \pm 0.05\Omega)$	GB5729.4.19
短时过负荷 Transient Overload	10倍Pr 5S 10 Time Pr 5s	无可见损伤 No visible destruction $R \leq \pm(1\% \pm 0.05\Omega)$	GB5729.4.13
绝缘电阻 Insulated Resistance	DC 1000V	$R \geq 100M\Omega$	GB5729.4.6
耐电压 Voltage Resistibility	AC3000V 50Hz 5s	无击穿或飞弧 Free of breakage or flying arc	GB5729.4.7
负荷寿命 Life	25°C Ur 1000h	$R \leq 20\%$	
端子强度 Terminal Strength	45N 30S	无可见损伤 Free of visible destruction	GB5729.4.16
耐振性 Vibration Resistibility	f:5-200HZ a=1g X.Y.Z各2h	无可见损伤 $R \leq \pm(1\%R + 0.05\Omega)$ Free of visible destruction	GB5729.4.22

### 成品识别码 (Product Identification Code)



RXLG.2K00.0032.9999M(表示常规品2kW/32 R 铝壳电阻器, G为端子, H为引线)  
RXLG.2K00.0032.6218 A(6218 A表示“6218”客户非标品2kW/32 R 波纹电阻器)